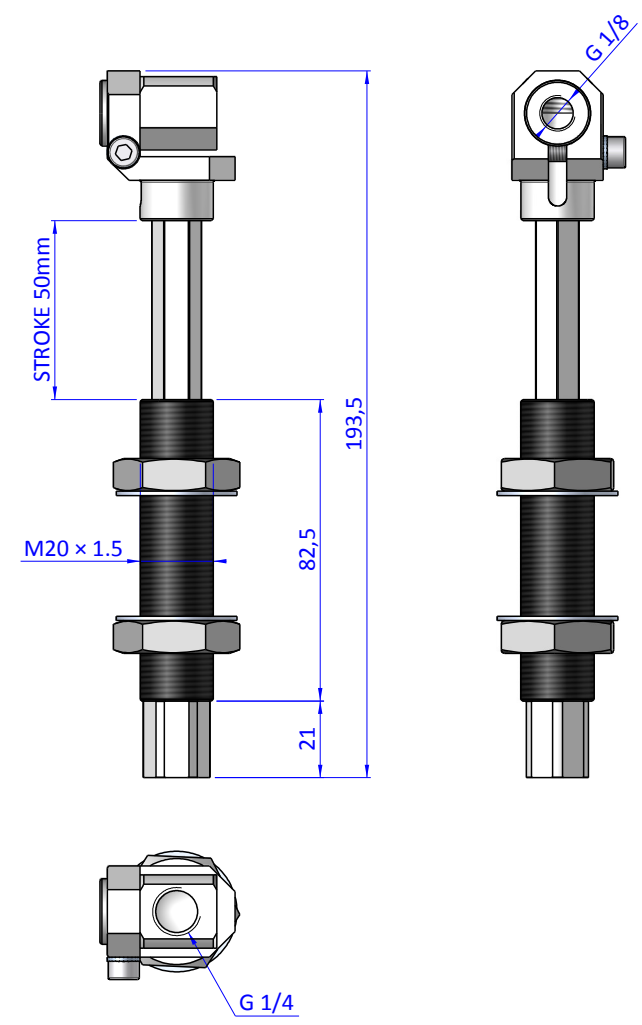
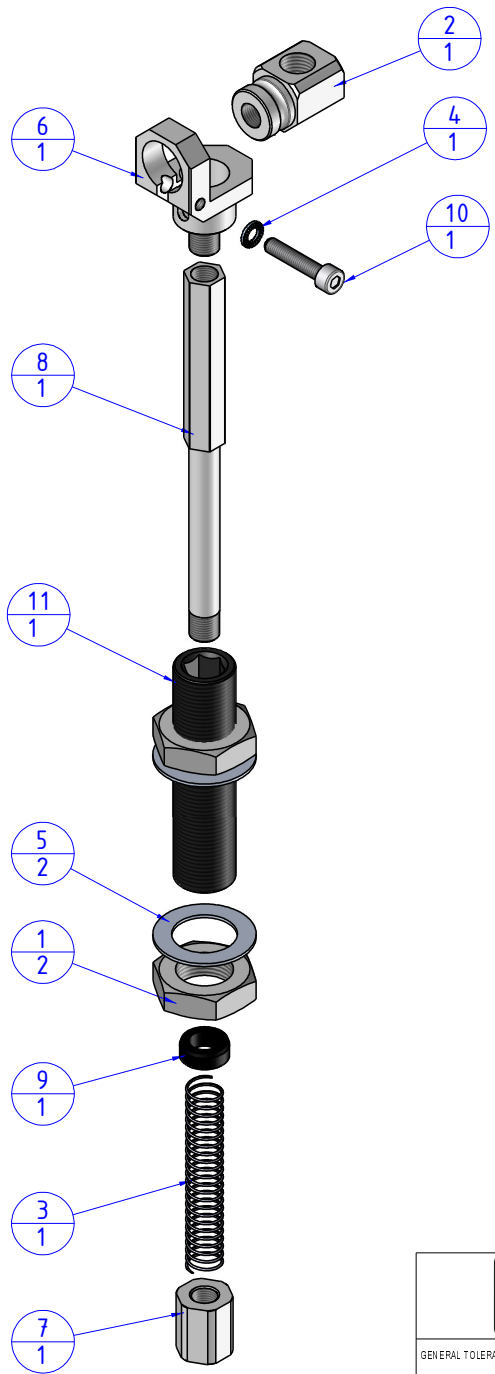


THE PROPERTY OF THE DRAWING IS ESTABLISHED BY LAW. IT IS FORBIDDEN TO PRODUCE OR SHOW IT TO THIRD PARTY, WITHOUT A WRITTEN AGREEMENT.

Object Number	Name	QTY
1	05.02.001.06	2
2	GGB.20.14.18	1
3	M.12X81.5	1
4	R.5.SCH	1
5	R.20.SCH	2
6	SSN.20251418.1	1
7	VSN.20.1	1
8	VSN.2050.4	1
9	VSN.2050.3	1
10	V.TCE5x25	1
11	VSNG.2050.2.1	1



Format A3
UNI 936-76

		DESIGNED FROM	REVIEW
		FP SERVICES	A
GENERAL TOLERANCE	DESCRIPTION	DATE	WEIGHT
UNI - ISO 2768	CA.SSNG.20501418	08/02/2019	0,154kg
CLASSE f		CODE	CA.SSNG.20501418